

## ATX 125 kHz

ATEX (EN60079) & IECEx reader



### Proximity access control in explosive environments

The ATX 125 kHz is an ATEX & IECEx certified proximity reader for all your RFID access control applications in explosive environments. STid's range of ATX RFID products can be used to meet all your contactless identification needs in the chemical and petrochemical industries, refineries or nuclear power plants.

#### ▶ ATEX & IECEx certifications

ATX 125 kHz readers are ATEX (EN60079) & IECEx certified, in accordance with the two relevant European Directives (99/92/EC and 94/9/EC) and are designed for personal identification applications in explosive environments. The EX II 2 GD IP66 explosion-proof casing is well-suited to the chemical, petrochemical and nuclear industries, among others.

#### ▶ Multi-technology

The ATEX & IECEx certified proximity reader enables to read a lot of 125 kHz chips: EM4200, EM4x50, T5557 emulated 4102...



#### ▶ Best reliable reading performances

The ATX 125 kHz ensures excellent reading performances in speed and reading distance. The proximity reader offers reliable reading distances: up to 15 cm\* for a card detection in less than 50ms depending on the environment.

#### ▶ Easy integration

The ATX 125 kHz readers are easy to integrate in your existing or new access control system. They are available in a wide choice of communication interfaces (TTL, RS232 and RS485) and protocols for an easy adaptation with your system.

#### ▶ Marking

EC type examination certificate:  
BKI 08 ATEX 0048  
Type approved: GUB  
Ex II 2 GD  
(G: Gas / D: Dust)  
Ex d IIC T5  
Ex tD A21 T100°C IP66



\*Caution: information about the distance of communication: measured from the centre of the antenna, depending on the type of identifier, size of the identifier, operating environment of the reader, power supply voltage and reading functions (secure reading).

# ATX 125 kHz

ATEX (EN60079) & IECEx reader

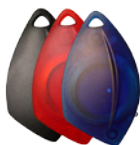
## Specifications

Operating frequency/standards	125 kHz						
Chip compatibility	EM4200, EM4x50, T5557 emulated 4102						
Functions	Read only						
Reading distances*	Up to 15 cm with a 125 kHz card						
Communication interfaces	Standard TTL (R11) - Wiegand - Data/Clock (ISO2 Protocol) RS232 (R12) RS485 (R13)						
Connections	2 cable glands PE PAP-R0 M20, for blinded cable ext. 10-19mm Internal block junction 10 x 2,5 mm <sup>2</sup>						
Light indicator	LED (colors: green, red, orange) Controlled by external input (0V) (R11) Controlled by software (R12 - R13)						
Power requirement	Typical 100 mA/12V						
Power supply	+9 VDC to +15 VDC						
Material	Aluminum alloy & stainless steel, epoxy grey RAL 9006						
Dimensions	270 x 310 x 180 mm						
Weight	13,5 kg						
Operating temperatures	- 20°C to + 70°C - Inside / outside use						
Resistance	IP 66						
Mounting	Wall mount: 4 brackets included - Screw diameter 11mm						
Certification	ATEX (EN60079) & IECEx						
Marking	EC type examination certificate: BKI 08 ATEX 0048 Type approved: GUB Ex II 2 GD (G: Gas / D: Dust) Ex d IIC T5 Ex tD A21 T100°C IP66						
Part number	<table border="0"> <tr> <td>Read only - TTL: ATX-R11-A/E01-xx/3</td> <td>ATX-R11-A/E01-xx/3</td> </tr> <tr> <td>Read only - RS232: ATX-R12-A/E01-5c/3</td> <td>ATX-R12-A/E01-5c/3</td> </tr> <tr> <td>Read only - RS485: ATX-R13-A/E01-7s/3</td> <td>ATX-R13-A/E01-7s/3</td> </tr> </table>	Read only - TTL: ATX-R11-A/E01-xx/3	ATX-R11-A/E01-xx/3	Read only - RS232: ATX-R12-A/E01-5c/3	ATX-R12-A/E01-5c/3	Read only - RS485: ATX-R13-A/E01-7s/3	ATX-R13-A/E01-7s/3
Read only - TTL: ATX-R11-A/E01-xx/3	ATX-R11-A/E01-xx/3						
Read only - RS232: ATX-R12-A/E01-5c/3	ATX-R12-A/E01-5c/3						
Read only - RS485: ATX-R13-A/E01-7s/3	ATX-R13-A/E01-7s/3						

\*Caution: information about the distance of communication: measured from the centre of the antenna, depending on the type of identifier, size of the identifier, operating environment of the reader, power supply voltage and reading functions (secure reading).



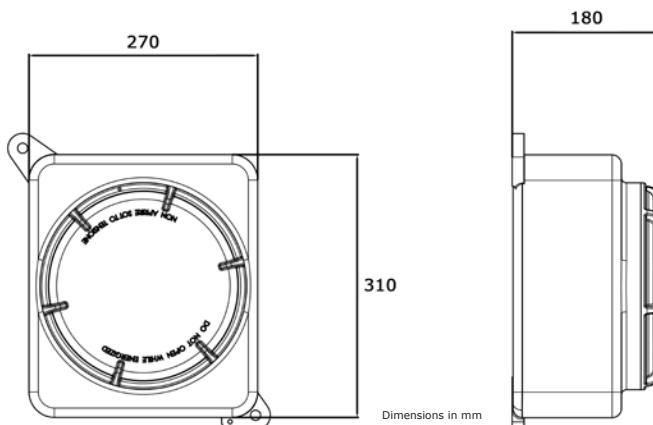
- Standard ISO cards
- 125 kHz Hybrid cards



••••• Key Holders



••••• Wristbands



Legal statements: STid is a trademark of STid SA. All other trademarks are property of their respective owners. This document is the exclusive property of STid. STid reserves the right to stop any product or service for any reason and without any liability Noncontractual photographs.

### Headquarters

20 Parc d'activités des Pradeaux  
13850 Gréasque, FRANCE  
☎ +33 (0)4 42 12 60 60  
✉ +33 (0)4 42 12 60 61  
✉ info@stid.com

### Paris IDF Agency

Immeuble Le Trisalys  
416 avenue de la division Leclerc  
92290 Chatenay Malabry, France  
☎ +33 (0)1 43 50 11 43  
☎ +33 (0)1 43 50 27 37  
✉ info@stid.com

### STid UK

Innovation centre  
Gallows Hill, Warwick  
CV34 6UW, United Kingdom  
☎ +44 (0) 1926 217 884  
☎ +44 (0) 1926 217 701  
✉ info@stid.com

### STid America

Varsovia 57, Interior 501, Colonia Juárez  
CP 06600, Delegación Cuauhtémoc  
México D.F.  
☎ +52 (55) 52 56 47 06  
☎ +52 (55) 52 56 47 07  
✉ info@stid-america.com