

# LXS CSPN

MIFARE Ultralight® & Ultralight® C, MIFARE Classic & Classic EV1, MIFARE Plus®, DESFire® EV1 & EV2, NFC, CPS3, Moneo



## High Security access control

STid is the first RFID manufacturer to have received First level Security Certification (CSPN)\* for its High Security identification solution. The LXS vandal proof proximity reader and the secure communication protocol SSCP V2 (STid Secure Common Protocol) passed all physical and software attacks according to the security target.



### ► High Security identification

First RFID CSPN\* certified reader, it supports the latest MIFARE® contactless technologies and their new data protection and security features. This certification is a recognition of our unique know-how, technological and security expertise that is implemented in your architecture, whether new or existing.

The LXS CSPN implements public encryption algorithms (AES, RSA, SHA, etc.), as recommended by official data security bodies (such as the French national agency ANSSI).

The innovative **tamper protection system** protects sensitive data and gives the possibility to delete the authentication keys. Unlike the current solutions on the market, the reliability of the **accelerometer-based technology** avoids it being outsmarted.



\* Certified reader: LXSW33EPH57AD1 - ANSSI-CSPN-2013/03 certificate  
 March 19th and October 24th, 2013  
<http://www.ssi.gouv.fr/fr/produits-et-prestataires/produits-certifie-cspn/>

### ► Multi-technology, upgradable



The LXS CSPN makes it easy to manage extensions, upgrades and technology migrations. It is compliant with leading market standards: ISO14443 type A & B and ISO18092. This reader supports simultaneously the NXP MIFARE® chips: MIFARE Ultralight® & Ultralight®C, Classic & Classic EV1, MIFARE Plus® (S & X) and DESFire® EV1 & EV2. It also supports more specific products like CPS3 cards (National healthcare professional ID Card - IAS/ECC protocol), Moneo cards and NFC tags.

The reader's firmware can be upgraded on-site with the serial communication to benefit technological evolutions.

### ► Global security view

The LXS CSPN ensures data confidentiality between the reader and the controller, with the secure communication protocol SSCP V2. This protocol offers data encryption (AES) and mutual authentication (HMAC-SHA-2) prior to any communication.

## Specifications

Operating frequency/standards	13.56 MHz. ISO14443 types A & B, ISO18092
Chip compatibility	MIFARE Ultralight® & Ultralight® C, MIFARE® Classic & Classic EV1, MIFARE Plus®, MIFARE® DESFire®, MIFARE® DESFire® EV1 & EV2, NFC, SMART MX, CPS3 cards, Moneo
Functions	Read and write
Reading distances*	Up to 8 cm with a MIFARE® Classic card Up to 5 cm with a MIFARE Plus® / DESFire® EV1 card
Communication interfaces	RS485 SSCP V2: STid Secure Common Protocol <i>(contact us for more options and details)</i>
Connections	Screw terminal (9 wires) Tamper switch input
Light indicator	1 bicolor LED - Managed by software
Audio indicator	Internal buzzer - Managed by software
Power requirement	Typical 50 mA/12V
Power supply	5 to 24VDC
Material	Polycarbonate casing (V0 UL94)
Dimensions	101 x 76 x 20 mm (28 mm with the spacer)
Operating temperatures	- 20°C to + 70°C - Inside / outside use
Tamper Switch	Accelerometer-based tamper detection system with key deletion option and/or by external contact
Resistance	IP65 (face) / IK10 
Mounting	Wall Mount. Compatible with European flushboxes (supplied with wall mount spacer)
Part number	Read/write RS485: LXS-W33-E/PH5-7AD/y y: Color of the casing (1: black - 2: White) 

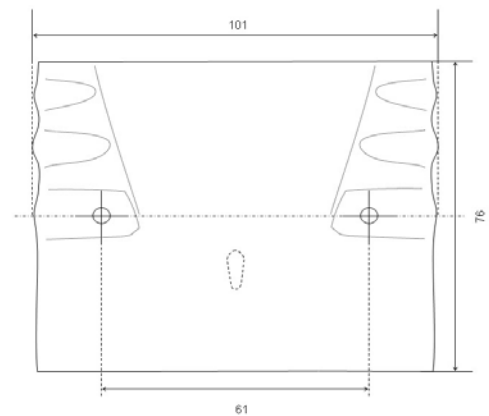
\***Caution** : information about the distance of communication: measured from the centre of the antenna, depending on the type of identifier, size of the identifier, operating environment of the reader, power supply voltage and reading functions (secure reading).



### SSCP V2 Secure Communication Protocol

SSCP V2 open protocol (STid Secure Common Protocol) ensuring the security between the reader management system.

**Development kit for easily integration of the SSCP V2 protocol in your controllers and applications.**



Dimensions in mm

Compatible:



Legal statements: STid is a trademark of STid SA. MIFARE® is a NXP trademark. All other trademarks are property of their respective owners. This document is the exclusive property of STid. STid reserves the right to stop any product or service for any reason and without any liability - Noncontractual photographs

### Headquarters

20 Parc d'activités des Pradeaux  
13850 Gréasque, France  
+33 (0)4 42 12 60 60  
+33 (0)4 42 12 60 61  
info@stid.com

### Paris IDF Agency

Immeuble Le Trisalys  
416 avenue de la division Leclerc  
92290 Chatenay Malabry, France  
+33 (0)1 43 50 11 43  
+33 (0)1 43 50 27 37  
info@stid.com

### STid UK

Innovation centre  
Gallows Hill, Warwick  
CV34 6UW, United Kingdom  
+44 (0) 1926 217 884  
+44 (0) 1926 217 701  
info@stid.com

### STid America

Varsovia 57, Interior 501, Colonia Juárez  
CP 06600, Delegación Cuauhtémoc  
México D.F.  
+52 (55) 52 56 47 06  
+52 (55) 52 56 47 07  
info@stid-america.com