



SPECTRE

**Installation
procedure** 

**Notice
d'installation** 

**Manual de
Instalación** 



NI1127X08



Frequency Band	References	Frequency Band	References
ETSI & India 865 - 868 MHz	SMA-R41-A/U04-xx: TTL SMA-R42-A/U04-5AB: RS232 SMA-R43-A/U04-7AB: RS485 SMA-W43-A/U04-7OS: OSDP™ v1 & v2 - RS485 SMA-W42-A/U04-5AX: SSCP® v1 & v2 - RS232 SMA-W43-A/U04-7AX: SSCP® v1 & v2 - RS485	Morocco 865.7 MHz	SMA-R41-A/U04-xx1M: TTL SMA-R42-A/U04-5AB1M: RS232 SMA-R43-A/U04-7AB1M: RS485 SMA-W53-A/U04-7OS1M: OSDP™ v1 & v2 - RS485 SMA-W42-A/U04-5AX1M: SSCP® v1 & v2 - RS232 SMA-W43-A/U04-7AX1M: SSCP® v1 & v2 - RS485
FCC & ISED PMN 902 - 928 MHz	SMA-R51-A/U04-xx: TTL SMA-R52-A/U04-5AB: RS232 SMA-R53-A/U04-7AB: RS485 SMA-W53-A/U04-7OS: OSDP™ v1 & v2 - RS485 SMA-W52-A/U04-5AX: SSCP® v1 & v2 - RS232 SMA-W53-A/U04-7AX: SSCP® v1 & v2 - RS485	Philippines 918 - 920 MHz	SMA-R51-A/U04-xx1PH: TTL SMA-R52-A/U04-5AB1PH: RS232 SMA-R53-A/U04-7AB1PH: RS485 SMA-W53-A/U04-7OS1PH: OSDP™ v1 & v2 - RS485 SMA-W42-A/U04-5AX1PH: SSCP® v1 & v2 - RS232 SMA-W43-A/U04-7AX1PH: SSCP® v1 & v2 - RS485
Peru 916 - 928 MHz	SMA-R51-A/U04-xx1PE: TTL SMA-R52-A/U04-5AB1PE: RS232 SMA-R53-A/U04-7AB1PE: RS485 SMA-W53-A/U04-7OS1PE: OSDP™ v1 & v2 - RS485 SMA-W42-A/U04-5AX1PE: SSCP® v1 & v2 - RS232 SMA-W43-A/U04-7AX1PE: SSCP® v1 & v2 - RS485	Australia 920 - 926 MHz	SMA-R51-A/U04-xx1AU: TTL SMA-R52-A/U04-5AB1AU: RS232 SMA-R53-A/U04-7AB1AU: RS485 SMA-W53-A/U04-7OS1AU: OSDP™ v1 & v2 - RS485 SMA-W42-A/U04-5AX1AU: SSCP® v1 & v2 - RS232 SMA-W43-A/U04-7AX1AU: SSCP® v1 & v2 - RS485
New-Zealand 922 - 928 MHz	SMA-R51-A/U04-xx1NZ: TTL SMA-R52-A/U04-5AB1NZ: RS232 SMA-R53-A/U04-7AB1NZ: RS485 SMA-W53-A/U04-7OS1NZ: OSDP™ v1 & v2 - RS485 SMA-W42-A/U04-5AX1NZ: SSCP® v1 & v2 - RS232 SMA-W43-A/U04-7AX1NZ: SSCP® v1 & v2 - RS485		

Power Supply Characteristics

Use an AC/DC power supply LPS type, Limited Power Source (as per IEC EN 60950-1 Ed2) or ES1 type, PS1 (as per IEC EN 62368-1) for main supply and for an eventual V+/V-.

Main power supply: Range +9 Vdc up to +36 Vdc

Typical: 12 Vdc

Advice: To overcome the cable length effect on the supply voltage seen by the reader, it is recommended to use a 24V power supply

Consumption: Typical: 1A under +12 Vdc

Max: 1.5A under +12 Vdc

Characteristics

	Read-only	OSDP™	SSCP®
Communication:	RS485 (L+ & L-) / RS232 (Tx) TTL (Wiegand / Clock & Data)	RS485 (L+ & L-)	RS485 (L+ & L-) / RS232 (Tx & Rx)
Pin out:	Terminal block plug 3x4 pins and 1x8 pins, thread 3.81 mm / 0.149 in		
Temperature:	-25 to +60 °C / -13 to +140 °F		
Protection:	IK10 certified Reader casing - IP66		
Chip:	EPC1 Gen2 (ISO 18000-63) - 1 to 62 bytes max		
I/O:	4 optocoupled inputs and 4 optocoupled outputs		
Module LED:	1 red LED: presence of power supply and 1 green LED: activity on Reader / host link		

Recommended Cables

	Read-only	OSDP™	SSCP®
RS485:	Use a multi-conductor shielded twisted pair cable - Max length 3 280 ft / 1000 m at 9600 baud.		
RS232:	Use a multi-conductor shielded twisted pair cable - Max length 49.21 ft / 15 m.	--	Use a multi-conductor shielded twisted pair cable - Max length 49.21 ft / 15 m.
Wiegand / Clock & Data:	Use a multi-conductor shielded untwisted 2 cable AWG24 – 30 m / 98.4 ft max 4 cables AWG24 – 60 m / 196.9 ft max 6 cables AWG24 – 100 m / 328.1 ft max 2 cable AWG20 – 50 m / 164. ft max 4 cables AWG20 – 100 m / 328.1 ft max	--	--

Recommendations

- Install the module away from computer transmission cables or from power sources (ex: RJ45, AC power line...).
- The disruptions that they can cause can vary according to their radiation power and their proximity.
- Use a filtered and regulated power supply.
- Antennas connected to different modules may interfere with each other. Move them away from each other.
- A power supply which provides 1.5 A min under +12Vdc is recommended.
- If the IN/OUT are powered by the module, use a 2A min under +12Vdc power supply.
- **Users must not remain within a range of less than, 34 cm / 13.39 in from an antenna for an extended period of time as per EN50364 applicable to this type of device.**
- Only the hatch can be opened.
- **Before any service operation you must de-energize reader.**
- Check that the hatch seal is correctly positioned before closing.
 - Do not remove the caps of unused cable glands:
 - Do not remove the caps from the unused RF connectors:
 - Install the reader with the word **UP facing upwards** in that way the connectors are down:



- **Careful: There is a 5.5 volts DC on each RF port.**

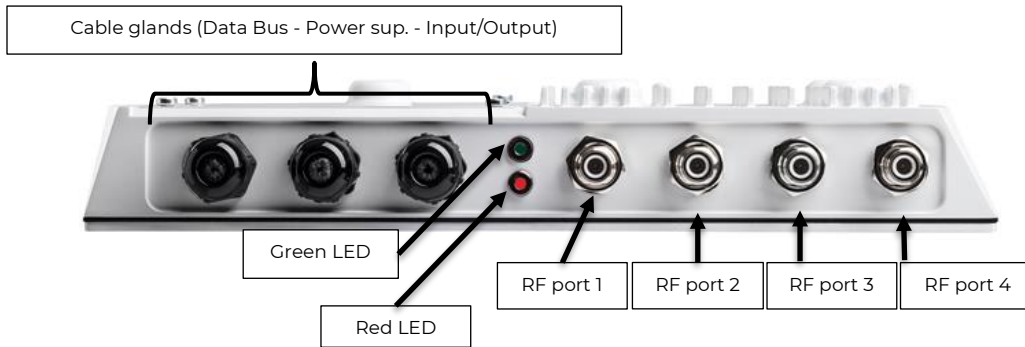


Host Connection

In order to access the module connectors, open **only** the hatch provided for this purpose by unscrewing the 4 captive screws without removing them from the hatch.

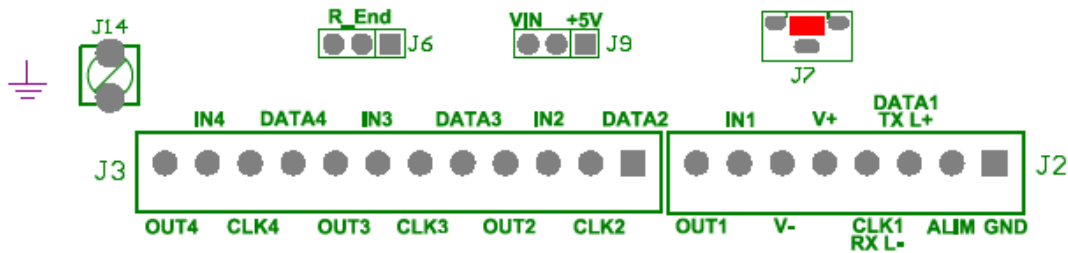


Front View of the module



TTL / RS232 / RS485 Connection

J6	Use this (on RS485 connection) when the distance of the data cable is near or over 100 m / 328.08 ft and the signal is weakened (polluted signals, frame errors etc.). <i>End of line resistor RS485</i>
J9	<i>TTL output level: +5V or Vin</i>
J7	<i>Micro USB connector for configuration purposes only</i>
J14	<i>Use this connector for earth connection purpose</i>



	Read-only	OSDP™	SSCP®
IN 1-2-3-4		4 opto-coupled inputs	
OUT 1-2-3-4		4 opto-coupled outputs	
V- opt	Low polarization potential of opto-coupled inputs and outputs		
V+ opt	High polarization potential of opto-coupled inputs and outputs		
DATA1	Data or D0 Channel 1 or Tx (RS232) or L+ (RS485)	L+ (RS485)	Tx (RS232) or L+ (RS485)
CLK1	Clock or D1 Channel 1 or L- (RS485)	L- (RS485)	Rx (RS232) or L- (RS485)
DATA 2 / CLK2	Data/Clock or D0/D1 Channel 2		Not used
DATA 3 / CLK3	Data/Clock or D0/D1 Channel 3		Not used
DATA 4 / CLK4	Data/Clock or D0/D1 Channel 4		Not used
ALIM	Power supply		
GND	GND		



Read-only & OSDPTM modules

Configuration

Only STid antennas can be used with read-only and OSDPTM modules. Please refer to the STid antenna installation procedure for module/antenna compatibility.

The number of antennas & channels and the communication protocol are configurable with the Ultrys V2 application or when the module is ordered. Please refer to Ultrys for more details about configuration settings.

- TTL protocols (Wiegand & ISO2): please refer to Spec_Protocole_Wiegand_V2.1_EN & Spec_Protocole_Clock&Data_V2.1_EN.
- Serial protocols (RS232 & RS485): the structure of the frame can be configured with the ULTRYs application with the following optional parameters (in gray):

1 byte	1 byte + X bytes	1 byte	1 byte	1 byte	1 byte
STX	Channel number + Tag Data*	LRC	CR	LF	ETX
0x02	0x0y nn.....nn		0x0D	0x0A	0x03

- ASCII: if this option is activated, the data will be sent in ASCII mode (data size will be doubled)
- Padding: complete the tag data with not significant 0 to obtain the defined data size - (Channel no. + 0 padding + tag data).
- OSDPTM protocol (RS485: 7OS): please refer to ULTRYs for more details about configuration settings + refer to Spec_Protocole_7OS OSDP_UHF-EN.pdf.

Start Sequence

When the module is switched on, the module's red LED lights up. Module initializing.

After initializing, the module will look for a configuration tag for about 15 s, on antenna 1 (connected to RF port 1).

- **If no tag detected:** the antenna LED flashes "color RFON" (200ms) (blue by default) / RFOFF (200ms).
- **If any tag detected:** the antenna LED displays the sequence "color RFON" (blue by default) / "color DETECTION" (orange by default) for 200ms then LED OFF.
- **If a configuration tag is detected:** the antenna LED displays the sequence « color RFON "(blue by default) / "color DETECTION" (orange by default) for 200ms then LED OFF, then the antenna LED gives the followings indications:
 - 3 GREEN flashes (500ms ON; 200ms OFF): the configuration tag is taken into account.
 - 3 RED flashes (500ms ON; 200ms OFF): the regulation (region) of the configuration tag does not match to the regulation of the reader.
 - 3 PURPLE flashes (500ms ON; 200ms OFF): the key of the configuration tag does match to the reader key.
 - 5 RED flashes (500ms ON; 200ms OFF): the model of the reader of the configuration tag does match to the model of the reader.

The end of the start sequence is indicated by the flashing of the reader LEDs (red and green) 3 times (500ms ON; 500ms OFF).

Red/Green Module LED indication

<u>Power supply OK:</u>	fixed red LED
<u>Power supply too low:</u>	blinking red LED (500ms ON / 500ms OFF)
<u>Temperature error:</u>	blinking red LED 5 times after all reading sequence. (RF Scan)
<u>RF error, antenna problem:</u>	blinking red LED 3 times after all reading sequence. (RF Scan)
<u>Communication:</u>	green LED

SSCP® modules

Operating Mode

When the module is switched on, the module's red LED lights up. Reader initializing.

After initializing:

- If the module is a RS232 module: module's green LED blinked 3 times.
- If the module is a RS485 module: module's red LED blinked 3 times.

The module then waits for command.

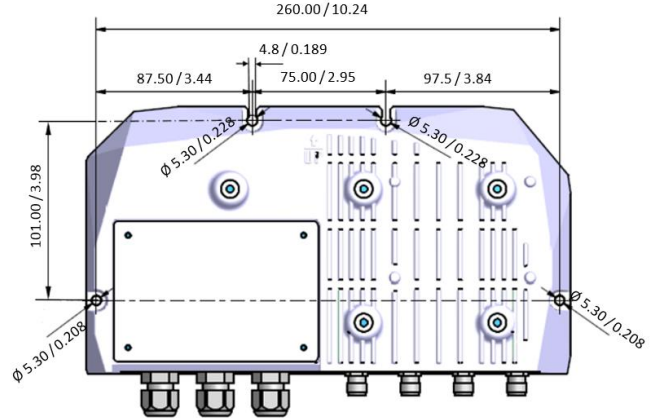
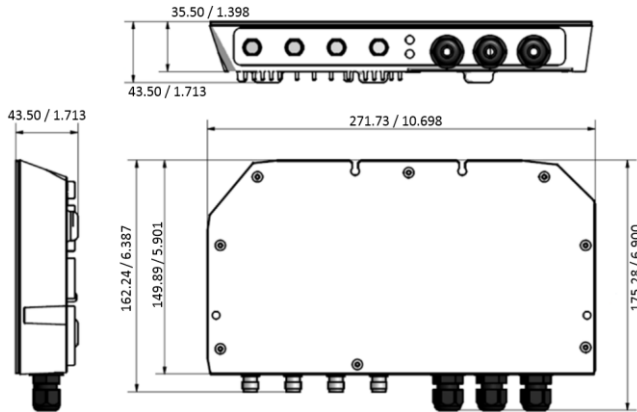
More details about reader's communication are available in the protocol specification: Spec_Protocole_SSCP_UHF_ACCESS.

Red/Green Module LED indication

<u>Power supply OK:</u>	fixed red LED
<u>Power supply too low:</u>	blinking red LED (500ms ON / 500ms OFF)
<u>Communication:</u>	Green LED



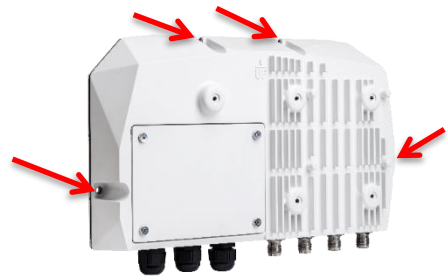
Dimensions (mm/in)



Mounting

Mount with a 75 x 75 mm / 0.79 x 0.79 in VESA standard mounting bracket M4x12 stainless steel screws provided with mounting kit).

Or mount directly on a wall $\varnothing 4 \times 35$ aluminum screws provided (TCL ALU 4x12).



If you want to mount the module using KFX-UHF, please refer to the instruction procedure of the kits:

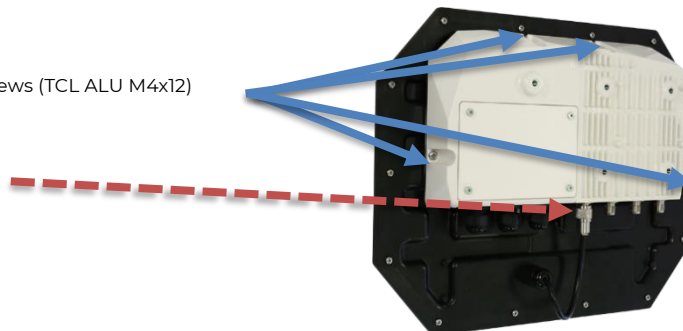
Adjustable wall-mounted kit: KFX-UHF-08
NI1096H

Adjustable pole-mounted kit: KFX-UHF-09
NI1096I



Mounting an Antenna UHF-SPECTRE on Module

- Attach the antenna on the module with the 4 screws (TCL ALU M4x12) provided with the module.
- Remove the cap from port RF 1.
- Connect the antenna to port RF 1 of the module.



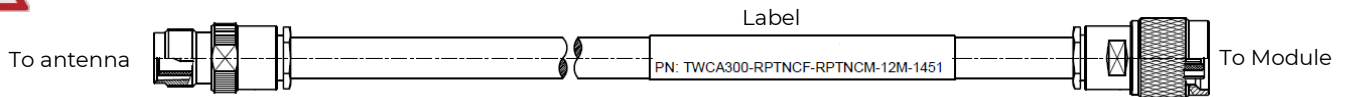
Antenna must be connected to RF Port 1



Antenna Cables



The antenna cables have a male connector and a female connector.



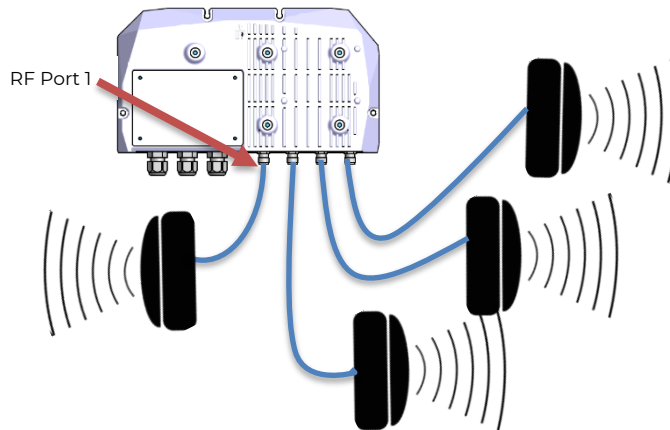
Length	Part number	Cable loss
1.5 m / 4.92 ft	CAB-SPECTRE-1.5M	0.55 dB
3 m / 9.84 ft	CAB-SPECTRE-3M	1.1 dB
9 m / 29.53 ft	CAB-SPECTRE-9M	2.3 dB
12 m / 39.37 ft	CAB-SPECTRE-12M	2.4 dB

Note: cable losses add up when several cables are coupled. Ex: CAB-SPECTRE-1.5M (0.55 dB) + CAB-SPECTRE-3M (1.1 dB) = total loss 1.65 dB

Antenna Connection



An antenna must be connected to the RF port 1 (closed to the LEDs).



Read-only & OSDP™	SSCP®
Check on Ultrys software, the possible cable combinations relative to antenna used.	It strongly advised that total cable loss doesn't exceed 3dB.

Declaration of Compliance

STid declares that the SMA-R5x/R4x-A modules are compliant to the fundamental requirements of Directive RED 2014/53/EU and Directive RoHS 2011/65/EU and Commission Delegated Directive 2015/863/EU. A copy of our declaration is available upon request send to qualite@stid.com.



This device complies with Part 15 of the FCC rules and with Innovation, Science and Economic Development Canada's license-exempt RSS(s). Operation is subject to the following two conditions:

- 1) This device must not cause harmful interference.
- 2) This device must accept any interference received, including interference that may cause undesired operation.

Note: The manufacturer is not responsible for any radio or TV interference caused by unauthorized modifications to this equipment. Such modifications could void the user's authority to operate the equipment.

This equipment has been tested and found to comply with the limits for a Class B digital device, pursuant to part 15 of the FCC Rules. These limits are designed to provide reasonable protection against harmful interference in a residential installation. This equipment generates, uses and can emit radio frequency energy and, if not installed and used in accordance with the instructions, may cause harmful interference to radio communications. However, there is no guarantee that interference will not occur in a particular installation. If this equipment does cause harmful interference to radio or television reception, which can be determined by turning the equipment off and on, the user is encouraged to try to correct the interference by one or more of the following measures:

- Reorient or relocate the receiving antenna.
- Increase the distance between the equipment and receiver.
- Connect the equipment to an outlet on a circuit different from that to which the receiver is connected.
- Consult the dealer or an experienced radio/TV technician for assistance.

This equipment complies with FCC's and ISED's radiation exposure limits (using RSS-102 rules) set forth for an uncontrolled environment under the following conditions:

- This equipment should be installed and operated such that a minimum separation distance of 34 cm / 13.39 in is maintained between the radiator (antenna) and the user's/nearby person's body at all times.
- The transmitter must not be co-located or operated in conjunction with any other antenna or transmitter.

This device complies with CAN ICES-003(B) / NMB-003(B).



Bande de fréquence	Références	Bande de fréquences	Références
ETSI et Inde 865 - 868 MHz ERP : 2W	SMA-R41-A/U04-xx: TTL SMA-R42-A/U04-5AB: RS232 SMA-R43-A/U04-7AB: RS485 SMA-W43-A/U04-7OS: OSDP™ v1 & v2 - RS485 SMA-W42-A/U04-5AX: SSCP® v1 & v2 - RS232 SMA-W43-A/U04-7AX: SSCP® v1 & v2 - RS485	Maroc 865.7 MHz ERP : 2W	SMA-R41-A/U04-xx1M: TTL SMA-R42-A/U04-5AB1M: RS232 SMA-R43-A/U04-7AB1M: RS485 SMA-W53-A/U04-7OSIM: OSDP™ v1 & v2 - RS485 SMA-W42-A/U04-5AX1M: SSCP® v1 & v2 - RS232 SMA-W43-A/U04-7AX1M: SSCP® v1 & v2 - RS485
FCC et ISED PMN 902 - 928 MHz EIRP : 4W	SMA-R51-A/U04-xx: TTL SMA-R52-A/U04-5AB: RS232 SMA-R53-A/U04-7AB: RS485 SMA-W53-A/U04-7OS: OSDP™ v1 & v2 - RS485 SMA-W52-A/U04-5AX: SSCP® v1 & v2 - RS232 SMA-W53-A/U04-7AX: SSCP® v1 & v2 - RS485	Philippines 918 - 920 MHz EIRP : 4W	SMA-R51-A/U04-xx1PH: TTL SMA-R52-A/U04-5AB1PH: RS232 SMA-R53-A/U04-7AB1PH: RS485 SMA-W53-A/U04-7OS1PH: OSDP™ v1 & v2 - RS485 SMA-W42-A/U04-5AX1PH: SSCP® v1 & v2 - RS232 SMA-W43-A/U04-7AX1PH: SSCP® v1 & v2 - RS485
Pérou 916 - 928 MHz EIRP : 4W	SMA-R51-A/U04-xx1PE: TTL SMA-R52-A/U04-5AB1PE: RS232 SMA-R53-A/U04-7AB1PE: RS485 SMA-W53-A/U04-7OS1PE: OSDP™ v1 & v2 - RS485 SMA-W42-A/U04-5AX1PE: SSCP® v1 & v2 - RS232 SMA-W43-A/U04-7AX1PE: SSCP® v1 & v2 - RS485	Australie 920 - 926 MHz EIRP : 4W	SMA-R51-A/U04-xx1AU: TTL SMA-R52-A/U04-5AB1AU: RS232 SMA-R53-A/U04-7AB1AU: RS485 SMA-W53-A/U04-7OS1AU: OSDP™ v1 & v2 - RS485 SMA-W42-A/U04-5AX1AU: SSCP® v1 & v2 - RS232 SMA-W43-A/U04-7AX1AU: SSCP® v1 & v2 - RS485
Nouvelle-Zélande 922 - 928 MHz EIRP : 4W	SMA-R51-A/U04-xx1NZ: TTL SMA-R52-A/U04-5AB1NZ: RS232 SMA-R53-A/U04-7AB1NZ: RS485 SMA-W53-A/U04-7OS1NZ: OSDP™ v1 & v2 - RS485 SMA-W42-A/U04-5AX1NZ: SSCP® v1 & v2 - RS232 SMA-W43-A/U04-7AX1NZ: SSCP® v1 & v2 - RS485		

Caractéristiques de l'alimentation

Utiliser une alimentation AC/DC du type LPS, Source à Puissance Limitée (selon IEC EN 60950-1 Ed2) ou de type ES1, PS1 (selon IEC EN 62368-1) pour l'alimentation principale et pour un éventuel V+/V-.

Alimentation principale : Gamme +9 Vdc à +36 Vdc

Typique : +12 Vdc

Conseil :

Pour pallier l'effet de la longueur du câble sur la tension d'alimentation vue par le lecteur, il est recommandé d'utiliser une alimentation 24V.

Consommation :

Typique : 1A sous +12 Vdc

Max : 1.5A sous +12 Vdc

Caractéristiques

	Lecture seule	OSDP™	SSCP®
Communication :	RS485 (L+ & L-) / RS232 (Tx) TTL (Wiegand / Clock & Data)	RS485 (L+ & L-)	RS485 (L+ & L-) / RS232 (Tx & Rx)
Raccordement :	Borniers débroschables à vis 3x4 points et 1x8 points, Pas de 3,81 mm		
Température :	-25 à +60 °C / -13 à +140 °F		
Protection :	Boîtier lecteur certifié IK10 - IP66		
Puce :	EPC1 Gen2 (ISO 18000-63) - 1 à 62 octets max		
I/O :	4 entrées et 4 sorties opto-couplées		
LED module :	1 LED rouge : présence tension d'alimentation et 1 LED verte : activité sur la liaison Lecteur / Host		

Type de câbles préconisés

	Lecture seule	OSDP™	SSCP®
RS485 :	Utiliser du câble multiconducteur torsadé blindé par tresse, reliée à la masse du concentrateur. Déport max :1000 m. à 9600 bauds		
RS232 :	Utiliser du câble multiconducteur torsadé blindé par tresse, reliée à la masse du concentrateur - Déport max 15 m.	--	Utiliser du câble multiconducteur torsadé blindé par tresse, reliée à la masse du concentrateur - Déport max 15 m.
Wiegand / Clock & Data :	Utiliser du câble multiconducteur blindé non torsadé 2 fils 6/10° - 30 m max 4 fils 6/10° - 60 m max 6 fils 6/10° - 100 m max 2 fils 9/10° - 50 m max 4 fils 9/10° - 100 m max	--	--

Recommandations

- Installer le module à distance des câbles de transmission informatique ou d'origine de puissance (ex : RJ45, ligne électrique AC...).
- Les perturbations qu'ils peuvent engendrer peuvent varier en fonction de leur puissance de rayonnement et de leur proximité.
- Utiliser une alimentation filtrée et régulée.
- Des antennes connectées à des modules différents peuvent se perturber. Eloigner les, les unes des autres.
- Il est recommandé d'utiliser une alimentation 1,5 A minimum sous +12Vdc.
- Si les IN/OUT sont alimentés par le module, utiliser une alimentation de 2A min sous +12Vdc.
- **Un utilisateur ne doit pas se trouver de manière prolongée, à une distance inférieure à 34 cm d'une antenne conformément aux préconisations de la norme EN50364 applicable à ce type d'appareil.**
- Seule la trappe peut être ouverte.
- **Avant toute opération de service, vous devez mettre le lecteur hors tension.**
- S'assurer que le joint de trappe est bien positionné avant fermeture.
 - Ne pas retirer les bouchons des presse-étoupes non-utilisés :
 - Ne pas retirer les capuchons des connecteurs RF non-utilisés :
 - Installer le module avec la signalétique **UP vers le haut** pour mettre les connectiques vers le bas :



- **Attention : Il y a un 5,5 volts DC sur chaque port RF.**

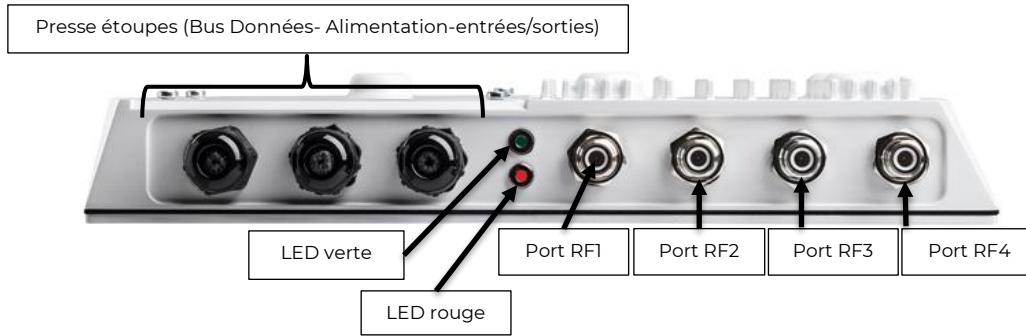


Accès à la connectique

Afin d'accéder à la connectique du module, ouvrir **uniquement** la trappe prévue à cet effet en dévissant les 4 vis imperdables sans les ôter de la trappe.

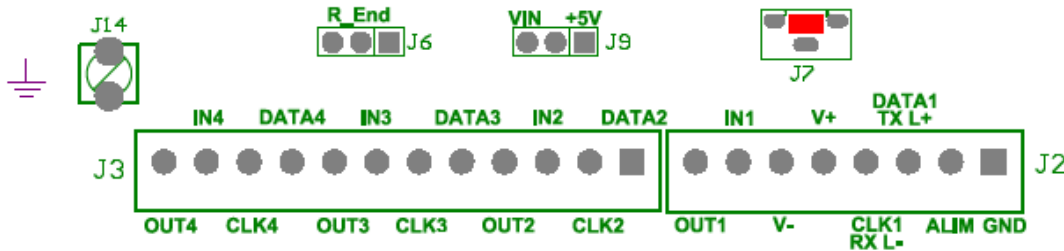


Vue de face du module



Connexion TTL / RS232 / RS485

J6	Résistance de fin de lignes RS485 A utiliser, lors d'une communication RS485, lorsque la distance de câble de données approche ou est supérieure à 100 m et que la communication se dégrade (signaux non francs, erreurs de trames etc.)
J9	Niveau sortie TTL : +5V ou Vin
J7	Connecteur micro USB pour configuration uniquement
J14	Utiliser ce connecteur pour la connexion à la terre



	Lecture seule	OSDP™	SSCP®
IN 1-2-3-4	4 Entrées opto-couplées		
OUT 1-2-3-4	4 Sorties opto-couplées		
V- opt	Potentiel de polarisation bas des entrées et sorties opto-couplées		
V+ opt	Potentiel de polarisation haut des entrées et sorties opto-couplées		
DATA1	Data ou D0 de la voie 1 ou Tx (RS232) ou L+ (RS485)	L+ (RS485)	Tx (RS232) ou L+ (RS485)
CLK1	Clock ou D1 de la voie 1 ou L-(RS485)	L-(RS485)	Rx (RS232) ou L-(RS485)
DATA 2 / CLK2	Data/Clock ou D0/D1 de la voie 2	Non utilisée	
DATA 3 / CLK3	Data/Clock ou D0/D1 de la voie 3	Non utilisée	
DATA 4 / CLK4	Data/Clock ou D0/D1 de la voie 4	Non utilisée	
ALIM	Alimentation		
GND	GND		



Modules Lecture seule & OSDP™

Configuration

Seules les antennes STid peuvent être utilisées avec les modules en lecture seules et OSDP™. Veuillez-vous référer à la procédure d'installation de l'antenne STid pour connaître la compatibilité module/antenne.

Le nombre d'antenne, le nombre de voie, le protocole de communication sont configurables via l'application Ultrys V2 ou lors de la commande du module. Veuillez-vous référer à Ultrys pour plus de détails sur les paramètres de configuration.

- Protocoles TTL (Wiegand & ISO2) : se référer à Spec_Protocole_Wiegand_V2.1_FR et Spec_Protocole_Clock&Data_V2.1_FR.
- Protocoles série (RS232 & RS485) : la structure de la trame est paramétrable avec l'application ULTRYS avec les paramètres optionnels suivants (en gris) :

1 octet	1 octet + X octets	1 octet	1 octet	1 octet	1 octet
STX	Numéro de Voie + Tag Data*	LRC	CR	LF	ETX
0x02	0x0y nn.....nn		0x0D	0x0A	0x03

- ASCII : si cette option est activée, les données incluses dans la trame seront au format ASCII (la taille des données du tag lu sera alors doublée).
- Padding : complète les données du tag avec des 0 non significatifs pour obtenir la taille de données définie (voie n° + Zéro de bourrage + Données du tag).
- OSDP™ protocole (RS485 : 7OS) : se référer à ULTRYS pour plus de détails sur les paramètres de configuration + reportez-vous à Spec_Protocole_7OS OSDP_UHF-EN.pdf.

Séquence de démarrage

A la mise sous tension du module, la LED lecteur rouge s'allume. Initialisation du module.
Après l'initialisation, le module recherche un tag de configuration pendant environ 15s sur l'antenne 1 (connectée au port RF 1).

- Si aucun de tag détecté : clignotement de la LED antenne « couleur RFON » (200 ms) (par défaut bleu) / RFOFF (200ms).
- Si détection d'un tag quelconque : la LED antenne enchaîne la séquence « couleur RFON » (par défaut bleu) / « couleur DETECTION » (par défaut orange) pendant 200ms puis LED OFF.
- Si détection d'un tag de configuration : la LED antenne enchaîne la séquence « couleur RFON » (par défaut bleu) / « couleur DETECTION » (par défaut orange) pendant 200ms puis LED OFF puis la LED antenne donne les indications suivantes :
 - 3 clignotements de couleur VERT (500ms ON ; 200ms OFF) : prise en compte du tag de configuration OK.
 - 3 clignotements de couleur ROUGE (500ms ON ; 200ms OFF) : la régulation (région) du tag de configuration ne correspond pas à la régulation du lecteur.
 - 3 clignotements de couleur VIOLET (500ms ON ; 200ms OFF) : la clé du tag de configuration ne correspond pas à la clé du lecteur.
 - 5 clignotements de couleur ROUGE (500ms ON ; 200ms OFF) : le modèle de lecteur du tag de configuration ne correspond pas au modèle du lecteur.

La fin de la séquence de démarrage est indiquée par le clignotement des LEDs lecteur (rouge et verte) 3 fois (500ms ON ; 500ms OFF).

LED rouge / verte du module – Indication

<u>Alimentation OK</u> :	LED fixe rouge
<u>Alimentation trop faible</u> :	clignotement LED rouge (500ms ON / 500 ms OFF)
<u>Problème de Température</u> :	clignotement LED rouge 5 fois après chaque séquence de lecture. (RF Scan)
<u>Problème RF</u> :	clignotement LED rouge 3 fois après chaque séquence de lecture (RF Scan)
<u>Communication</u> :	LED verte

Modules SSCP®

Mode opératoire

A la mise sous tension, la LED module rouge s'allume. Initialisation du module.

Après l'initialisation :

- Si le module est un RS232, la LED verte clignote 3 fois
- Si le module est un RS485, la LED rouge clignote 3 fois

Le module attend alors des commandes.

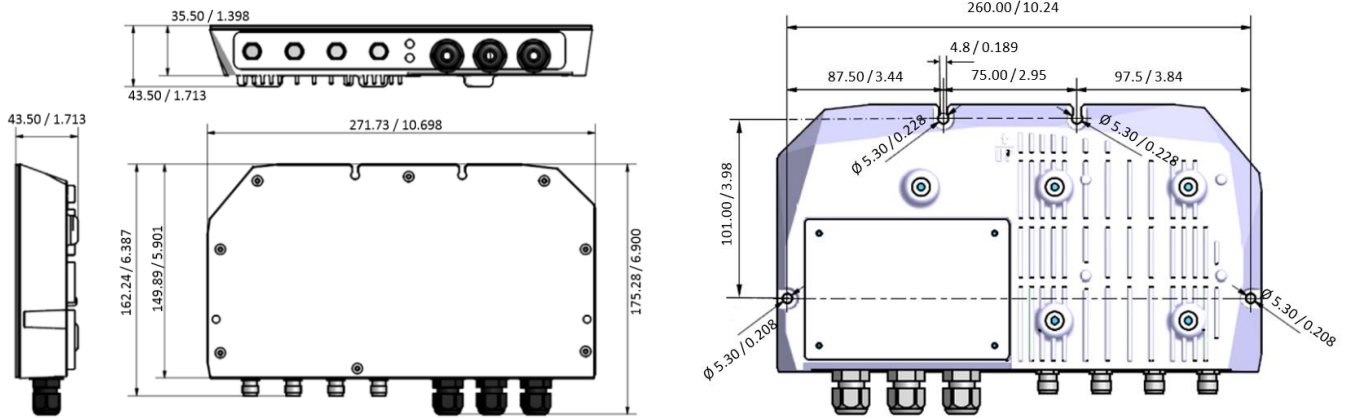
Toutes les commandes sont disponibles dans la spécification du protocole SSCP® : Spec_Protocole_SSCP_UHF_ACCESS.

LED rouge / verte du module - Indication

<u>Alimentation OK</u> :	LED fixe rouge
<u>Alimentation trop faible</u> :	clignotement LED rouge (500ms ON / 500 ms OFF)
<u>Communication</u> :	LED verte



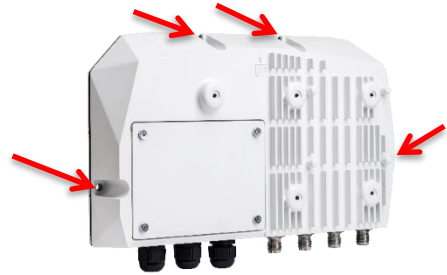
Dimensions (mm/in)



Fixation

Fixation avec un support de fixation de type VESA standard 75x75 mm (vis M4x12 Inox fournies dans le kit de fixation)

Ou Fixation directement sur un mur
Vis $\varnothing 4 \times 35$ inoxydable recommandée (TCL ALU 4x12).



Si vous souhaitez monter le module en utilisant un KFX-UHF, se référer à la procédure d'instructions des kits :

Kit de fixation murale orientable : KFX-UHF-08
N11096H

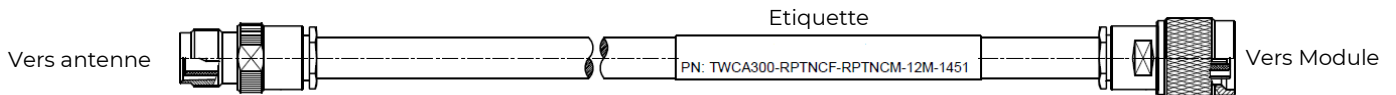
Kit de fixation mât orientable : KFX-UHF-09
N11096I



Câbles des Antennes



Les câbles des antennes possèdent un connecteur mâle et un connecteur femelle.



Longueur	Référence	Perte du câble
1.5 m	CAB-SPECTRE-1.5M	0.55 dB
3 m	CAB-SPECTRE-3M	1.1 dB
9 m	CAB-SPECTRE-9M	2.3 dB
12 m	CAB-SPECTRE-12M	2.4 dB

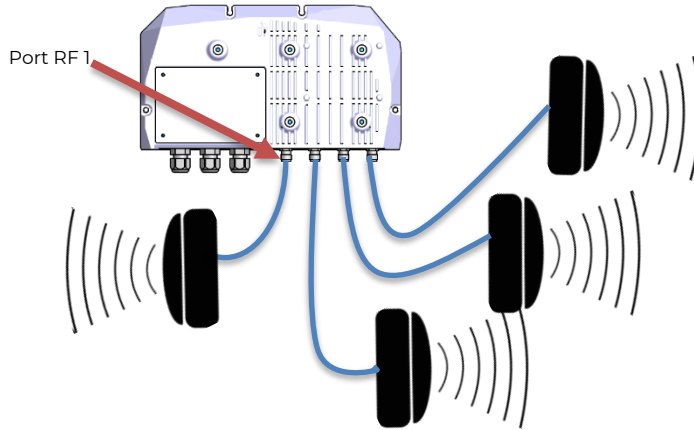
Remarque : les pertes des câbles s'additionnent lorsque plusieurs câbles sont couplés.
Ex : CAB-SPECTRE-1,5M (0,55 dB) + CAB-SPECTRE-3M (1,1 dB) = perte totale 1,65 dB.



Raccordement antenne(s)



Il est impératif de raccorder une antenne sur le port RF1 (le plus proche des LEDs).



Lecture seule & OSDP™	SSCP®
Vérifier sur le logiciel ULTRYS, les combinaisons de câbles possibles par rapport à l'antenne utilisée.	Il est fortement conseillé que la perte totale du câble ne dépasse pas 3 dB.

Déclaration de conformité

STid déclare que les modules SMA-R5x/R4x-A sont conformes aux exigences essentielles de la Directive RED 2014/53/UE et RoHS 2011/65/UE et Directive déléguée 2015/863/UE. Une copie de notre déclaration est disponible sur demande adressée à qualite@stid.com.



Cet appareil est conforme à la Part-15 de la FCC et aux CNR d'Innovation, Sciences et Développement économique Canada applicables aux appareils radio exempts de licence. Son fonctionnement est soumis aux deux conditions suivantes :

- 1) Cet appareil ne doit pas causer d'interférence nuisible.
- 2) Cet appareil doit accepter toute interférence reçue, y compris les interférences pouvant provoquer un fonctionnement indésirable.

Note : le fabricant n'est pas responsable des interférences radio ou TV causées par des modifications non autorisées de l'équipement. De telles modifications pourraient annuler le droit à l'utilisateur d'utiliser l'équipement.

Cet équipement a été testé et déclaré conforme aux limites imposées aux périphériques numériques de classe B stipulées au chapitre 15 du règlement FCC. Ces limites sont conçues pour fournir une protection raisonnable contre les interférences nuisibles lorsque l'équipement est utilisé dans un environnement résidentiel. Cet équipement génère, utilise et peut émettre des fréquences radio et, s'il n'est pas installé et utilisé conformément aux instructions, peut créer des interférences nuisibles perturbant les communications radio. Toutefois, rien ne permet de garantir l'absence totale d'interférence dans une installation donnée. Si l'équipement perturbe la réception de radios ou de télévisions, ce qui peut être vérifié en éteignant et en rallumant l'équipement, l'utilisateur est invité à tenter de faire disparaître ces interférences en recourant à l'une des mesures suivantes :

- réorienter ou déplacer l'antenne de réception ;
- augmenter l'écart entre l'équipement et le récepteur ;
- brancher l'équipement sur une prise située sur un circuit autre que celui auquel est raccordé le récepteur ;
- Consulter le revendeur ou un technicien expérimenté pour obtenir de l'aide.

Cet équipement est conforme aux limites d'exposition aux rayonnements de la FCC et ISEDC's (selon les règles RSS-102) établies pour un environnement non contrôlé dans les conditions suivantes :

- Il doit être installé et utilisé avec un minimum de 34 cm de distance entre la source de rayonnement et votre corps.
- Le transmetteur ne doit pas être placé à côté ou ne doit pas fonctionner avec une autre antenne ou un autre transmetteur.

Cet appareil est conforme à CAN ICES-003(B) / NMB-003(B).

Adhérent DEEE Pro



L'identifiant unique FR010496_05ZP8L attestant de l'enregistrement au registre des producteurs de la filière EEE, en application de l'article L.541-10-13 du Code de l'Environnement a été attribué par l'ADEME à la société STid. Cet identifiant atteste de sa conformité au regard de son obligation d'enregistrement au registre des producteurs d'Equipements Electriques et Electroniques et de la réalisation de ses déclarations de mises sur le marché auprès d'**ecosystem**.

STid recommande aux détenteurs d'équipements usagés qui souhaitent s'en départir de les remettre à la filière DEEE en prenant contact avec ESR/RECYLUM afin de bénéficier des solutions sans frais supplémentaires de collecte et de recyclage de ces équipements usagés. Plus d'informations sur www.recylum.fr.



Banda de frecuencia	Referencias	Banda de frecuencia	Referencias
ETSI y India 865 - 868 MHz ERP: 2W	SMA-R41-A/U04-xx: TTL SMA-R42-A/U04-5AB: RS232 SMA-R43-A/U04-7AB: RS485 SMA-W43-A/U04-7OS: OSDP™ v1 & v2 - RS485 SMA-W42-A/U04-5AX: SSCP® v1 & v2 - RS232 SMA-W43-A/U04-7AX: SSCP® v1 & v2 - RS485	Marruecos 865.7 MHz ERP: 2W	SMA-R41-A/U04-xx1M: TTL SMA-R42-A/U04-5AB1M: RS232 SMA-R43-A/U04-7AB1M: RS485 SMA-W53-A/U04-7OSIM: OSDP™ v1 & v2 - RS485 SMA-W42-A/U04-5AX1M: SSCP® v1 & v2 - RS232 SMA-W43-A/U04-7AX1M: SSCP® v1 & v2 - RS485
FCC y ISED PMN 902 - 928 MHz EIRP: 4W	SMA-R51-A/U04-xx: TTL SMA-R52-A/U04-5AB: RS232 SMA-R53-A/U04-7AB: RS485 SMA-W53-A/U04-7OS: OSDP™ v1 & v2 - RS485 SMA-W52-A/U04-5AX: SSCP® v1 & v2 - RS232 SMA-W53-A/U04-7AX: SSCP® v1 & v2 - RS485	Filipinas 918 - 920 MHz EIRP: 4W	SMA-R51-A/U04-xx1PH: TTL SMA-R52-A/U04-5AB1PH: RS232 SMA-R53-A/U04-7AB1PH: RS485 SMA-W53-A/U04-7OS1PH: OSDP™ v1 & v2 - RS485 SMA-W42-A/U04-5AX1PH: SSCP® v1 & v2 - RS232 SMA-W43-A/U04-7AX1PH: SSCP® v1 & v2 - RS485
Perú 916 - 928 MHz EIRP: 4W	SMA-R51-A/U04-xx1PE: TTL SMA-R52-A/U04-5AB1PE: RS232 SMA-R53-A/U04-7AB1PE: RS485 SMA-W53-A/U04-7OS1PE: OSDP™ v1 & v2 - RS485 SMA-W42-A/U04-5AX1PE: SSCP® v1 & v2 - RS232 SMA-W43-A/U04-7AX1PE: SSCP® v1 & v2 - RS485	Australia 920 - 926 MHz EIRP: 4W	SMA-R51-A/U04-xx1AU: TTL SMA-R52-A/U04-5AB1AU: RS232 SMA-R53-A/U04-7AB1AU: RS485 SMA-W53-A/U04-7OS1AU: OSDP™ v1 & v2 - RS485 SMA-W42-A/U04-5AX1AU: SSCP® v1 & v2 - RS232 SMA-W43-A/U04-7AX1AU: SSCP® v1 & v2 - RS485
Nueva Zelanda 922 - 928 MHz EIRP: 4W	SMA-R51-A/U04-xx1NZ: TTL SMA-R52-A/U04-5AB1NZ: RS232 SMA-R53-A/U04-7AB1NZ: RS485 SMA-W53-A/U04-7OS1NZ: OSDP™ v1 & v2 - RS485 SMA-W42-A/U04-5AX1NZ: SSCP® v1 & v2 - RS232 SMA-W43-A/U04-7AX1NZ: SSCP® v1 & v2 - RS485		

Características de alimentación

Utilizar una alimentación AC/DC de tipo LPS, Fuente con Potencia Limitada (según IEC EN 60950-1 Ed2) o de tipo ES1, PSI (según IEC EN 62368-1) para el suministro principal y para un eventual V + / V-.

Main power supply: +9 Vdc a +36 Vdc Típico: +12 Vdc

Consejo: Para superar el efecto de la longitud del cable en la tensión de alimentación vista por el lector, se recomienda utilizar una fuente de alimentación de 24 V.

Consumo: Típico: 1A con +12 Vdc Máximo: 1.5A con +12 Vdc

Características

	Solo lectura	OSDP™	SSCP®
Comunicación:	RS485 (L+ & L-) / RS232 (Tx) TTL (Wiegand / Clock & Data)	RS485 (L+ & L-)	RS485 (L+ & L-) / RS232 (Tx & Rx)
Conexión:	Regleta de terminales extraíbles con tornillos 3x4 puntos y 1x8 puntos, Paso de 3.81 mm / 0.149 in		
T de funcionamiento:	De -25 a +60 °C / De -13 a +140 °F		
Índice de protección:	Carcasa del lector con certificación IK10 - IP66		
Chip leído:	EPC1 Gen2 (ISO 18000-63) - 1 a 62 octetos máx		
I/O:	4 entradas y 4 salidas opto acopladas		
LEDs en el módulo:	1 LED rojo: presencia de tensión de alimentación y 1 LED verde: actividad en conexión Lector / Host		

Tipo de cable recomendado

	Solo lectura	OSDP™	SSCP®
RS485:	Utilizar cable multiconductor blindado por trenza, conectado a la masa del concentrador. Desvío máx: 3 280 ft / 1000 m. a 9600. baudios.		
RS232:	Utilizar cable multiconductor blindado por trenza - Desvío máx: 49.21 ft / 15 m.	--	Utilizar cable multiconductor blindado por trenza - Desvío máx: 49.21 ft / 15 m.
Wiegand / Clock & Data:	Utilizar cable multiconductor blindado 2 cable 6/10° - 30 m / 98.43 ft máx. 4 cables 6/10° - 60 m / 196.85 ft máx. 6 cables 6/10° - 100 m / 328.08 ft máx. 2 cable 9/10° - 50 m / 164.04 ft máx. 4 cables 9/10° - 100 m / 328.08 ft máx.	--	--

Recomendaciones

- Instalar el módulo a distancia de los cables de transmisión informática o de origen de potencia (Ej.: RJ45, Línea de alimentación AC...).
- Las perturbaciones que pueden generar dependen de su potencia de radiación y de su proximidad.
- Usar una alimentación filtrada y regulada.
- Antenas conectadas a módulo diferentes pueden alterarse. Alejarlas entre ellas.
- Se recomienda usar una alimentación 1,5 A mínimo en +12Vcc.
- Si los IN/OUT están alimentados por el módulo, usar una alimentación de 2A min en +12Vcc.
- **Un usuario no debe encontrarse de forma prolongada, a una distancia inferior a 34 cm / 13.39 in de una antena, de acuerdo con las recomendaciones de la norma EN50364 aplicable a este tipo de aparatos.**
- Sólo se puede abrir la trampilla.
- **Antes de cualquier operación de mantenimiento, debe desconectar el lector.**
- Asegurarse de que la junta de la trampilla esté bien colocada, antes de cerrarla.
 - No quitar los tampones de las prensaestopas no utilizadas:
 - No quitar las cápsulas de cierre de los conectores RF no utilizados:
- Instalar el módulo cumpliendo con la señalización **hacia arriba** para que las conexiones estén hacia arriba.



- **Cuidado: Hay 5,5 voltios CC en cada puerto RF.**

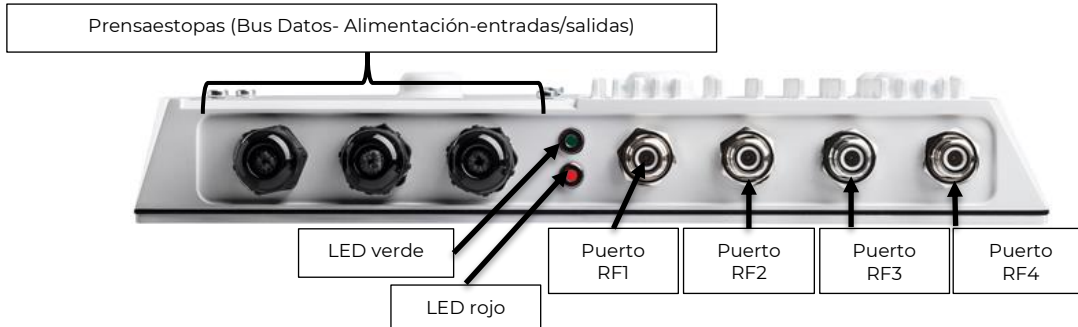


Acceso al sistema de conexión

Para acceder al sistema de conexión del módulo, abrir **solamente** la trampilla prevista a tal efecto, desatornillando los 4 tornillos imperdibles sin quitarlos de la trampilla.

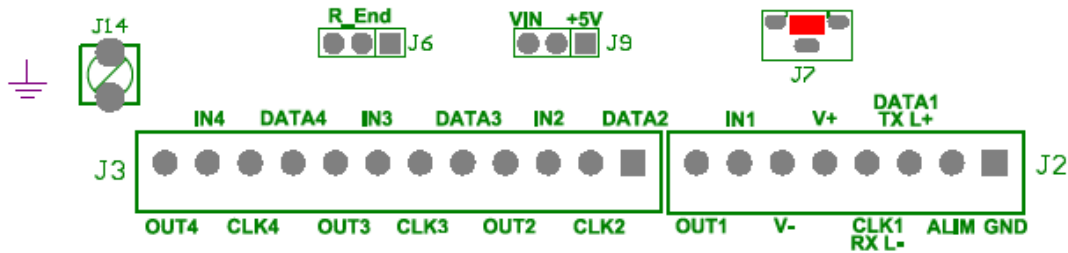


Vista frontal del módulo



TTL / RS232 / RS485 conexión

J6	<i>Resistencia de fin de líneas RS485</i> Utilizar en una comunicación RS485, cuando la distancia del cable de datos se acerca o es superior a 100 m / 328.08 ft y que la comunicación se deteriora (señales no claras, errores de tramas, etc.)
J9	<i>Nivel salida TTL: +5V o Vin</i>
J7	<i>Conector micro USB solo para configuración</i>
J14	<i>Utilizar para conexión a la tierra</i>



	Solo lectura	OSDP™	SSCP®
IN 1-2-3-4	4 entradas opto acopladas		
OUT 1-2-3-4	4 salidas opto acopladas		
V- opt	Potencial de polarización bajo de las entradas y salidas opto acopladas		
V+ opt	Potencial de polarización alto de las entradas y salidas opto acopladas		
DATA1	Data o D0 de la vía 1 o Tx (RS232) o L+ (RS485)	L+ (RS485)	Tx (RS232) o L+ (RS485)
CLK1	Clock o D1 de la vía 1 o L-(RS485)	L-(RS485)	Rx (RS232) o L-(RS485)
DATA 2 / CLK2	Data/Clock o D0/D1 de la vía 2	no utilizado	
DATA 3 / CLK3	Data/Clock o D0/D1 de la vía 3	no utilizado	
DATA 4 / CLK4	Data/Clock o D0/D1 de la vía 4	no utilizado	
ALIM	Alimentación		
GND	GND		



Solo lectura y OSDPT™ módulos

Configuración

Sólo se pueden utilizar antenas STid con módulos de solo lectura y OSDPT™. Consulte el procedimiento de instalación de la antena STid para conocer la compatibilidad del módulo/antena.

El número de antenas, el número de vías, el protocolo de comunicación se puede configurar mediante la aplicación ULTRY5 o al realizar el pedido del lector. Consulte ULTRY5 para obtener más detalles sobre los ajustes de configuración.

- Protocolos TTL (Wiegand & ISO2): consulte Spec_Protocole_Wiegand_V2.1_ES y Spec_Protocole_Clock&Data_V2.1_ES.
- Protocolos seriales (RS232 & RS485): la estructura de la trama se puede configurar con la aplicación ULTRY5 con los siguientes parámetros opcionales (en gris):

1 octeto	1 octeto + X octetos	1 octeto	1 octeto	1 octeto	1 octeto
STX	Número de Vía + Tag Data*	LRC	CR	LF	ETX
0x02	0x0y nn.....nn		0x0D	0x0A	0x03

- ASCII: si esta opción está activada, los datos incluidos en la trama estarán en formato ASCII (el tamaño de los datos del tag leído estará entonces duplicado).
- Relleno: completa los datos del tag con 0 no significativos, para obtener el tamaño de datos definido. (Vía n° + Cero de relleno + Datos del tag...).
- Protocolo OSDPT™ (RS485: 7OS): consulte ULTRY5 para obtener más detalles sobre los ajustes de configuración + consulte Spec_Protocole_7OS_OSDP_UHF-EN.pdf.

Secuencia de arranque

Al conectar a la alimentación, la LED del módulo roja se enciende. Inicialización del lector.

Después de la inicialización, el lector busca un tag de configuración durante 15s en la antena 1 (conectada al puerto RF 1).

- **Si no detecta ningún tag:** parpadeo de la LED de la antena "color RFON" (200 ms) (por defecto azul) / RFOFF (200ms).
- **Si detección de cualquier tag:** la LED de la antena encadena la secuencia "color RFON" (por defecto azul) / "color DETECCIÓN" (por defecto naranja) durante 200ms y después LED OFF.
- **Si detección de un tag de configuración:** la LED de la antena encadena la secuencia "color RFON" (por defecto azul) / "color DETECCIÓN" (por defecto naranja) durante 200ms y después LED OFF luego la LED de la antena proporciona las siguientes indicaciones:
 - 3 parpadeos de color VERDE (500ms ON; 200ms OFF): tag de configuración aceptado OK.
 - 3 parpadeos de color ROJO (500ms ON; 200ms OFF): la regulación (región) del tag de configuración no corresponde a la regulación del lector.
 - 3 parpadeos de color LILA (500ms ON; 200ms OFF): la clave del tag de configuración no corresponde a la clave del lector.
 - 5 parpadeos de color ROJO (500ms ON; 200ms OFF): el modelo del lector del tag de configuración no corresponde al modelo del lector.

El final de la secuencia de arranque está indicado por el parpadeo de las LEDs del lector (rojo y verde) 3 veces (500ms ON; 500ms OFF).

Rojo/ Verde Module LED indicación

Fuente de alimentación OK:	LED rojo fijo
Fuente de alimentación demasiado baja:	LED rojo parpadeante (500 ms encendido / 500 ms apagado)
Error de temperatura:	parpadeo del LED rojo 5 veces después de toda la secuencia de lectura
Error de RF, problema de la antena:	parpadeo del LED rojo 3 veces después de toda la secuencia de lectura
Comunicación:	LED verde

Módulos SSCP®

Modo operativo

Al conectar a la alimentación, la LED del módulo roja se enciende. Inicialización del módulo.

Después de la inicialización:

- Si el módulo es un RS232, el LED verde del módulo parpadea 3 veces.
- Si el módulo es un RS485, el LED rojo del módulo parpadea 3 veces.

El módulo entonces espera el comando.

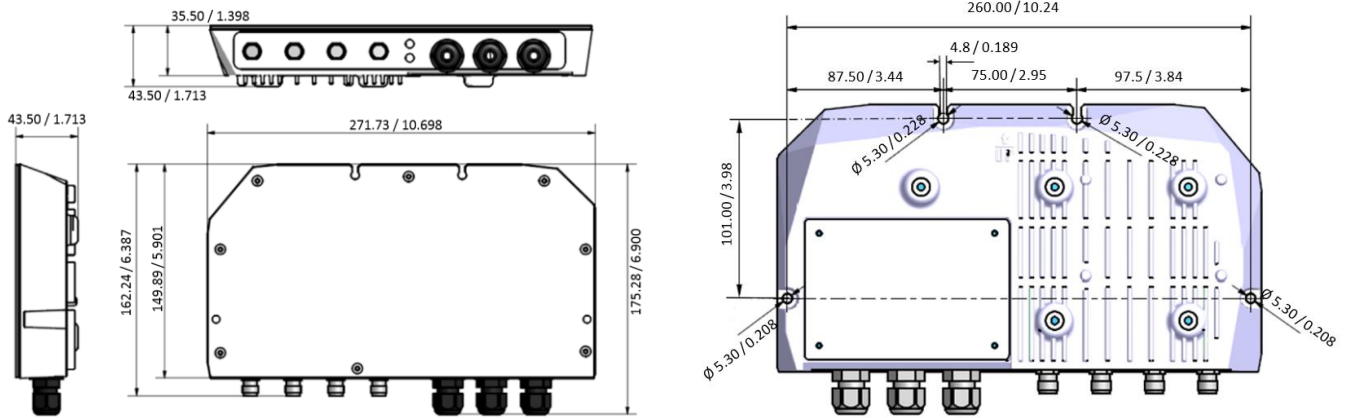
Todos los comandos de comunicación del lector están disponibles en la especificación de protocolo SSCP®: Spec_Protocole_SSCP_UHF_ACCESS.

Indicación LED Rojo/ Verde

Fuente de alimentación OK:	LED rojo fijo
Fuente de alimentación demasiado baja:	LED rojo parpadeante (500 ms encendido / 500 ms apagado)
Comunicación:	

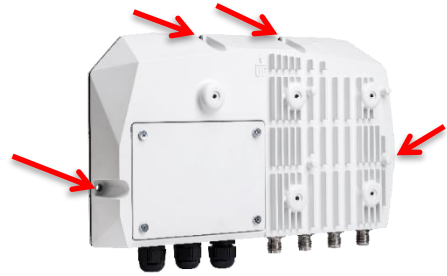


Dimensiones (mm/in)



Montaje

- Fijación con soporte de fijación de tipo VESA estándar 75 x 75 mm / 0.79 x 0.79 in (tornillo M4x12 Acero inox. suministrados en el kit de fijación)
- Fijación directamente en un muro
Tornillo Ø4x35 acero inoxidable recomendado (TCL ALU 4x12).



Si desea montar el módulo utilizando KFX-UHF, consulte el procedimiento de instrucciones de los kits:

Kit de fijación mural orientable: KFX-UHF-08
NI1096H

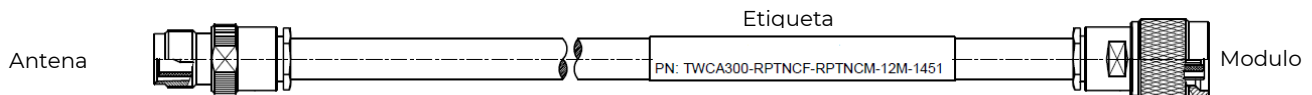
Kit de fijación mástil orientable: KFX-UHF-09
NI1096I



Antena Cables



Los cables de antena tienen 1 conector macho y un conector hembra.



Longitud	Número de pieza	Pérdida de cable
1.5 m / 4.92 ft	CAB-SPECTRE-1.5M	0.55 dB
3 m / 9.84 ft	CAB-SPECTRE-3M	1.1 dB
9 m / 29.53 ft	CAB-SPECTRE-9M	2.3 dB
12 m / 39.37 ft	CAB-SPECTRE-12M	2.4 dB

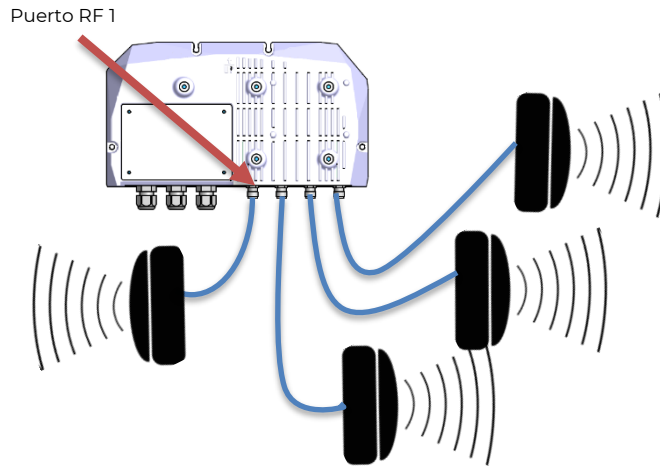
Nota: las pérdidas en los cables se suman cuando se acoplan varios cables.
Ej.: CAB-SPECTRE-1.5M (0.55 dB) + CAB-SPECTRE-3M (1.1 dB) = pérdida total 1.65 dB.



Conexión antena/s



Es obligatorio conectar una antena al puerto RF 1 (lo más cercano de las LED)



Solo lectura y OSDPTM	SSCP®
Consulte en el software Ultrys las posibles combinaciones de cables según la antena utilizada.	Se recomienda encarecidamente que la pérdida total del cable no supere los 3 dB.

Declaración de conformidad

STid declara que los módulos SMA-R5x/R4x-A cumplen las exigencias esenciales de la Directiva RED 2014/53/UE y RoHs 2011/65/UE y la Directiva delegada 2015/863/UE. Una copia de nuestra declaración está disponible enviando una solicitud a qualite@stid.com.



Este aparato cumple la Parte-15 de la FCC y los CNR de Innovación, Ciencias y Desarrollo Económico de Canadá, aplicables a los aparatos de radio exonerados de licencia. Su funcionamiento está sujeto a las dos condiciones siguientes:

- 1) Este aparato no debe provocar interferencias nocivas.
- 2) Este aparato debe aceptar cualquier interferencia recibida, incluido las interferencias que pueden provocar un funcionamiento no deseado.

Nota: El fabricante no es responsable de las interferencias de radio o TV provocadas por modificaciones no autorizadas del equipo. Modificaciones de este tipo podrían anular el derecho del usuario a usar el equipo.

Este equipo ha sido probado y se ha declarado que cumple los límites impuestos a los periféricos digitales de clase B estipulados en el capítulo 15 del Reglamento FCC. Estos límites han sido establecidos para proporcionar una protección razonable contra las interferencias nocivas, cuando el equipo se utiliza en un entorno residencial. Este equipo genera, utiliza y puede emitir frecuencias de radio y, si no se instala y utiliza de acuerdo con las instrucciones, puede crear interferencias nocivas que perturben las comunicaciones de radio. Sin embargo, nada puede garantizar la ausencia total de interferencias, en una instalación determinada. Si el equipo altera la recepción de radios o de televisiones, lo que se puede comprobar apagando y volviendo a encender el equipo, el usuario debe intentar hacer que desaparezcan estas interferencias recurriendo a una de las medidas siguientes:

- reorientar o desplazar la antena de recepción;
- aumentar la distancia entre el equipo y el receptor;
- conectar el equipo a un enchufe situado en un circuito diferente de aquel al que está conectado el receptor;
- Consultar al revendedor o un técnico experimentado para obtener ayuda.

Este equipo cumple los límites de exposición a las radiaciones de la FCC e ISEDC (utilizando las reglas RSS-102) establecidos, para un entorno no controlado, en las siguientes condiciones:

- Debe ser instalado y utilizado a una distancia mínima de 34 cm / 13.39 in, entre la fuente de radiación y su cuerpo.
- El transmisor no debe estar colocado al lado, o no debe funcionar con otra antena u otro transmisor.

Este aparato cumple la CAN ICES-003(B) / NMB-003(B).